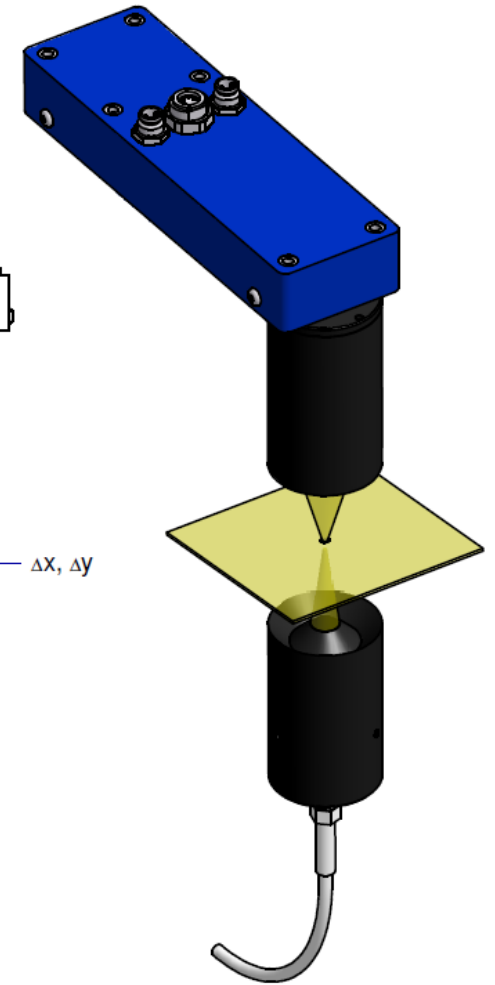
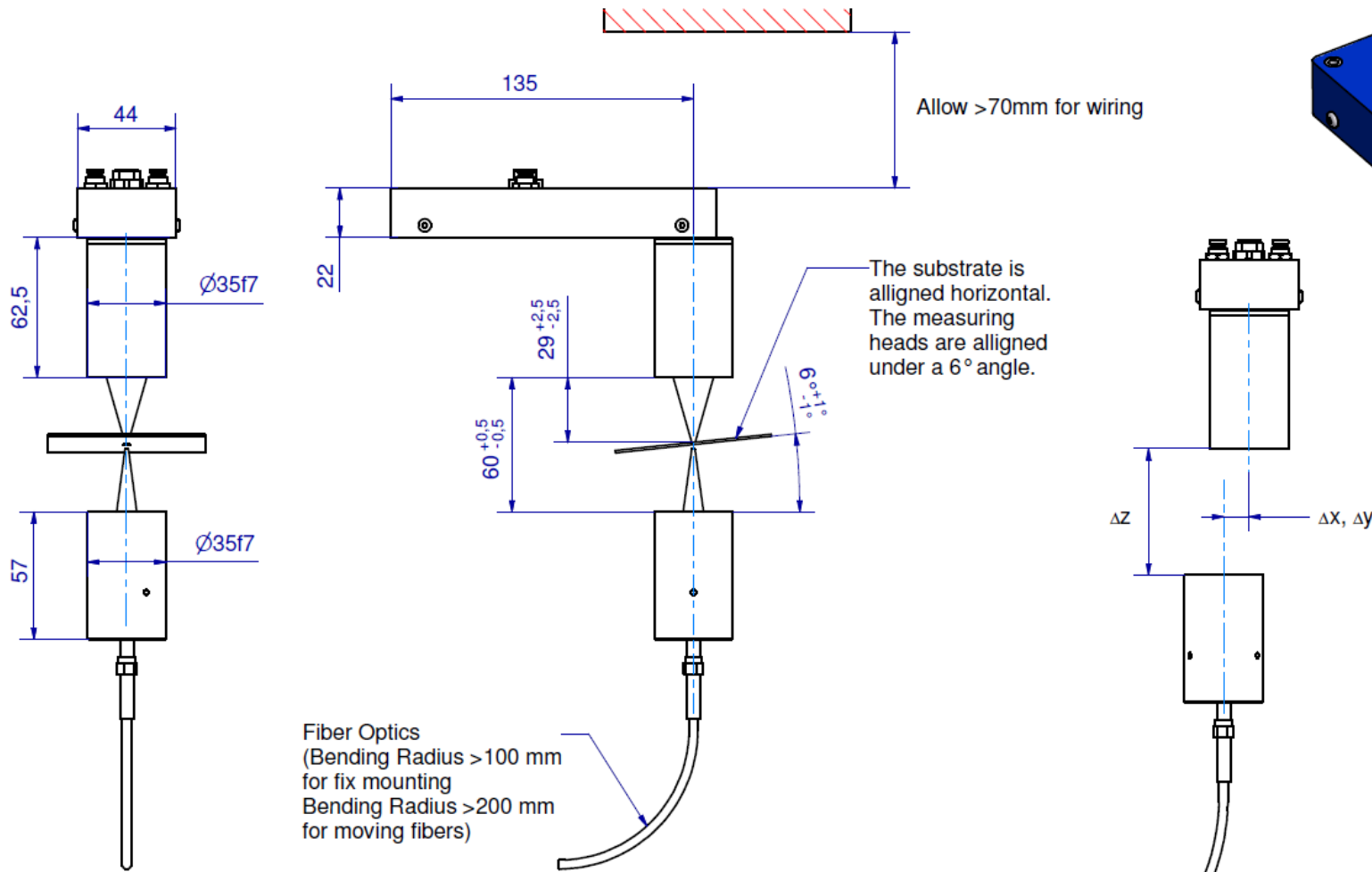


C			Date	08.2014
B			Constr.	
A			Appr.	
Change	Date	Name		



Project Name	.....	Description	TCM-I	Type	OD	Page:	1/3
Project No.	.....	Component					





**Installation Conditions**

- 1.) All optical heads must be mount in black anodized mountings
- 2.) No ambient light sources to be mount within 1m of the measuring heads
- 3.) Shading boards above the sensor heads are to be mount in case ambient sources are located above the sensor heads

**Positioning Accuracy**

After referencing the tolerances for x, y, z are:

$\Delta x, \Delta y, \Delta z \leq 0,5 \text{ mm}$

C			Date	08.2014
B			Constr.	
A			Appr.	
Change	Date	Name		



Project Name	.....	Description	TCM-I	Type	OD	Page:	3/3
Project No.	.....	Component					